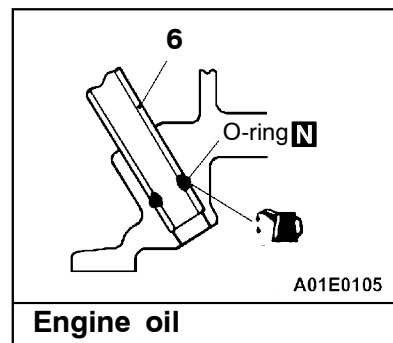
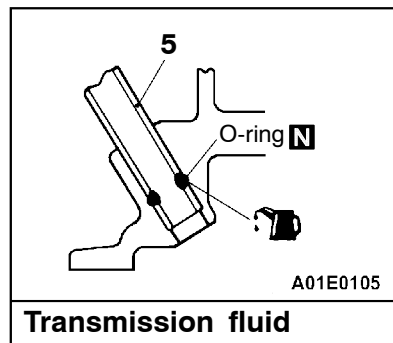
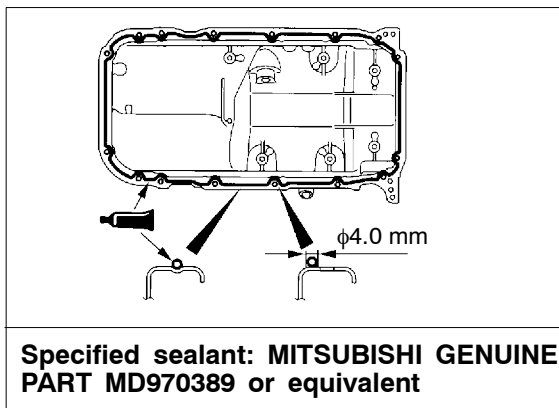
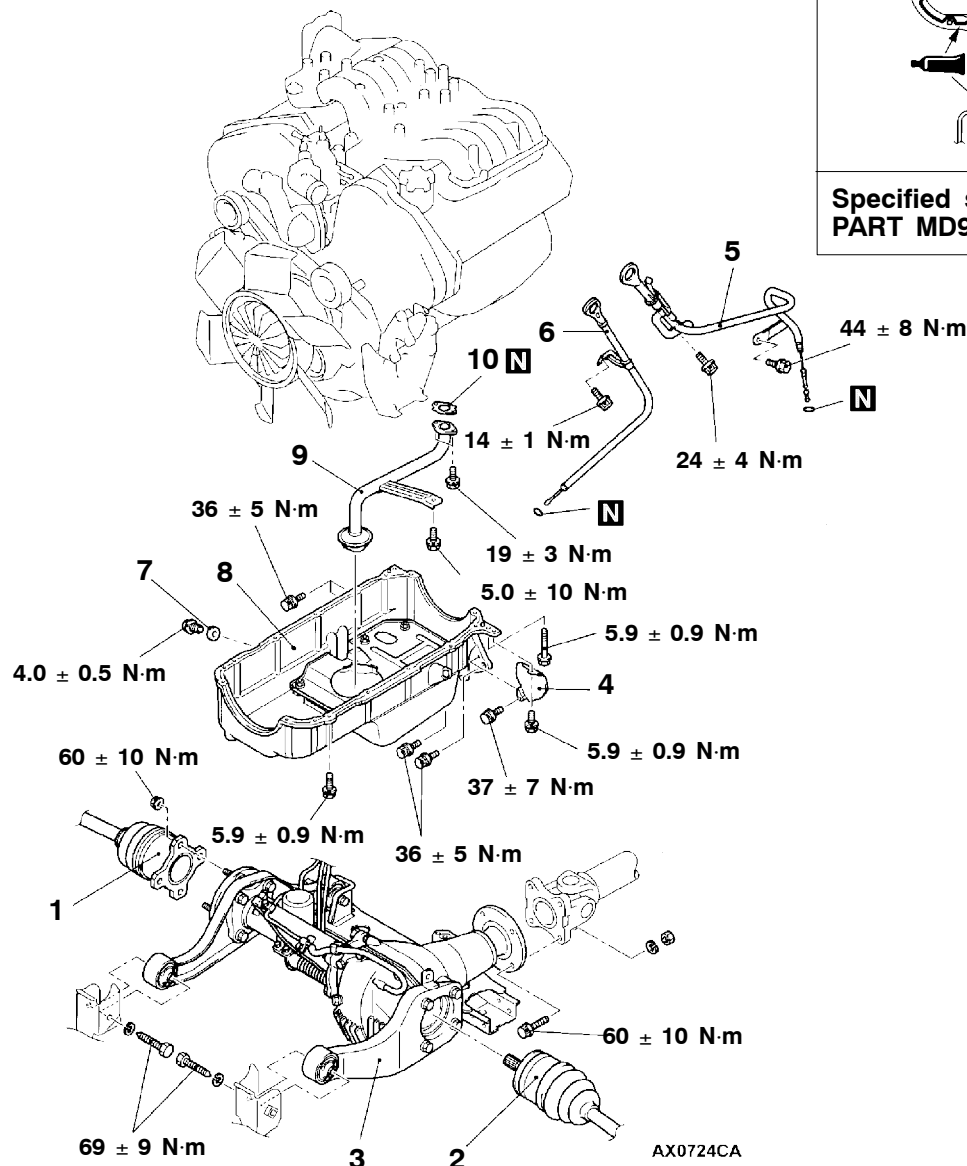


# OIL PAN AND OIL SCREEN

## REMOVAL AND INSTALLATION

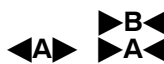
### Pre-removal and Post-installation Operation

- Skid Plate and Under Cover Removal and Installation
- Engine Oil Draining and Refilling (Refer to GROUP 12 - On-vehicle Service.)
- Starter Assembly Removal and Installation (Refer to GROUP 16 - Starting System.)



### Removal steps

1. Drive shaft <R.H.>
2. Drive shaft <L.H.>
3. Front differential, No.2 crossmember
4. Cover
5. A/T oil dipstick assembly



6. Engine dipstick assembly
7. Gasket
8. Oil pan
9. Oil screen
10. Gasket