



DEKRA AUTOMOTIVE (PTY) LTD
T/A
2008/009509/07
4430251134

TAX INVOICE

EDENVALE

UNIT B3 AND B4, GREENSTONE MOTOR CITY
CORNER OF STONERIDGE DRIVE AND GREENSTONE PL
GAUTENG NORTH

1609
011 452 8383 (T)
011 609 8747 (F)

97 WILLEM CRUYWAGEN AVE, KLERKSOORD, ROSSLYN, 0200

PO BOX 1788, ROSSLYN, 0200
012 542 4867
012 542 6136

CUSTOMER INFORMATION

Acc. No.	212123
Attention	C ZANGE
Address	ZUK STREET 26, WAPADRAND, PRETORIA
Postal Code	0041
Phone	082-937-3349
Fax	

TRANSACTION DETAILS

Invoice Date	2010-09-22
Invoice No.	EDE26921
Order No.	EFT
Method of payment	EFT
User	MAGDA VAN WYK
National Doc. No.	937199

VEHICLE INFORMATION

Make	MITSUBISHI
Series	PAJERO
Reg. No.	YFW679GP
VIN No.	AFADGBP46DR293316

QTY.	CODE	DESCRIPTION	UNIT PRICE	TOTAL
1	TE - 01	VEHICLES < 3 500 KG	1052.6300	1052.6300
THANK YOU FOR YOUR SUPPORT.				
SUB TOTAL				1052.63
VAT @ 14.00 %				147.37
TOTAL (inclusive)				1200.00

BANKING DETAILS

Merchant Number	
Name of Service Provider	
Authorization Number	
ODO Reading of the Vehicle	
Signature of Driver	

Account Name	Dekra Automotive PTY Ltd
Bank	First National Bank
Branch Name	Corporate Account Services Pr
Account Number	62222800759
Branch Code	253145



A Member of SAVTA
Protecting the Vehicle Testing
Industry Collectively



REGISTRATION NUMBER

YFW679GP



technical examination™

Information you need to know...

What we check:

We visually check only the items listed inside. We write different codes into the item boxes to tell you how an item may be affected. We can't tell you about a defect if we can't see it or it doesn't appear during the road test and inspection. If there is a dispute about the accuracy of this report, you must refer the vehicle back to us before you make any repairs.

What we don't check:

- Oil and fuel consumption
- Source of a leak if the area is dirty
- Oil pump strainer for any build-up of sludge
- Operation of cassette players or compact disc players
- Sound or radio reception
- Alarm systems
- Cylinder compression

We don't dismantle, remove or strip any part of the vehicle.

Road testing is carried out within the immediate confines of the inspection location.

CONDITIONS OF EXAMINATION

Every care and precaution has been exercised when examining the vehicle referred to in this report. However, AA TEST & DRIVE does not accept responsibility for defects which were not detected during an examination and on a short road test. In addition, AA TEST & DRIVE is not responsible for latent defects which subsequently occur, opinions expressed or advice given. AA TEST & DRIVE accepts no liability whatsoever in respect of any negligence by AA TEST & DRIVE or any of its employees in the carrying out the vehicle examination or on the road test. Wheels and brake drums will be removed at our inspection centre only when special equipment is not required and without recourse to any dismantling of units or components. In the event of a disagreement of the report contents, no components must be removed or replaced until AA TEST & DRIVE has been given the opportunity to qualify its statement.

This document is not a guarantee and does not alter the normal contractual relationships between the Seller and the Purchaser.

This report is provided on application to the customer, as the interested party. AA TEST & DRIVE neither authorises nor accepts responsibility for the consequences of its publication.

Examination fees are payable before commencement of the examination.

Re-checks are available at an extra fee, and should be carried out within 3 months of the examination.

Vehicles are left in our care at the owner's own risk. AA TEST & DRIVE is therefore indemnified against any loss, damage or theft.

VEHICLE LICENSE EXPIRY DATE: 30.04.2010

KM: 191860

TECHNICIAN NAME & SURNAME: ANDRÉ NORTJE

DATE: 22.09.2010

CLIENT NAME: _____

CLIENT SIGNATURE: _____ DATE: _____

1 ROAD TEST

PLEASE CHECK SPECIFIC NEEDS

REGISTRATION NUMBER

YFW679GP

1 ENGINE PERFORMANCE		
1.1	Noise level	●
1.2	Vibrations	●
1.3	Smoking	●
1.4	Fumes	✓
1.5	Cruise control	✓
1.6	Performance	●
1.7	Idling	●

2 TRANSMISSION		
2.1	Noise level	●
2.2	Vibrations	●
2.3	Performance	●
2.4	Gearshift	●

3 CLUTCH		
3.1	Noise level	●
3.2	Performance	●
3.3	Shudder	●

4 DRIVELINE		
4.1	Noise level	●
4.2	Vibrations	●
4.3	Backlash	●

5 DIFFERENTIAL		
5.1	Noise level	✓
5.2	Performance	✓

6 STEERING		
6.1	Noise level	✓
6.2	Vibrations	●
6.3	Performance	●
6.4	Spoke setting	✓
6.5	Wheel alignment	●
6.6	Tyres	●

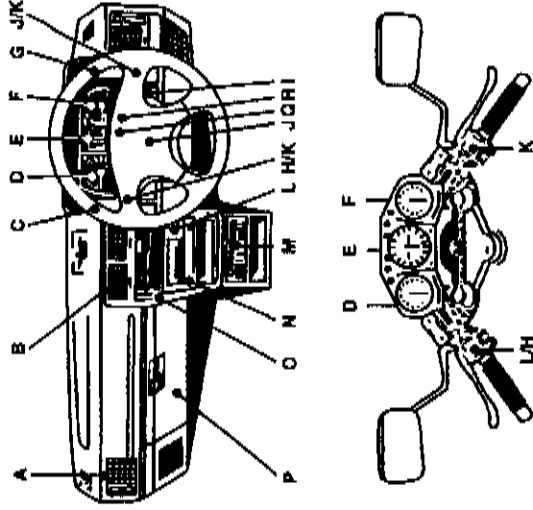
7 WIPER ASSEMBLY		
7.1	Noise level	✓
7.2	Performance	✓

8 LIGHTS		
8.1	Noise level	●
8.2	Vibrations / Pulsation	●
8.3	Performance	●
8.4	Brake effort	●
8.5	Booster	✓
8.6	Fluid leaks	●

9 SUSPENSION		
9.1	Noise level	●
9.2	Performance	●

10 EXHAUST		
10.1	Noise level	●
10.2	Vibration	●
10.3	Rattle	●
10.4	Leaks	●

11 INSTRUMENTATION		



A	Air vents	✓
B	Centre air vents	✓
C	Steering wheel	✓
D	Speedometer	●
E	Fuel gauge	✓
F	Rev counter	●
G	Wiper switch	✓
H	Headlight switch	●
I	Cruise control switch	✓
J	Hooter	●
K	Indicator switch	●
L	Cigarette lighter	✓
M	Radio	✓
N	Ashtray	✓
O	Heater controls	✓
P	Glove compartment	✓
Q	Heat gauge	✓
R	Oil gauge - light	●

1 COMMENTS

7.1 NOISE IN CLUTCH/INPUT SHAFT
 7.2 DRIVE LINE VIBRATION
 TUNE ENGINE

2 ENGINE

PLEASE CHECK SPECIFIC NEEDS

REGISTRATION NUMBER

YFW679GP

1 DIAGNOSTIC TEST

1.1	Timing								
1.2	Dwell								
1.3	Spark-plugs								
1.4	Power balance cylinders								
1.5	Air cleaner element								
1.6	Oil level								
1.7	Noises								
1.8	Engine compartment								
1.9	Air leaks on manifold & carburetor								
1.10	Spark plug leads								
1.11	Fumes								
1.12	Smoking								
1.13	Idle mixture								
1.14	Mixture at high speed								
1.15	Idling								
1.16	Positive crankcase valve								
1.17	Cranking speed								
1.18	Vacuum advance								
1.19	Centrifugal advance								
◆	1.20 Rear sprocket								
◆	1.21 Chain								

REMOVE & CHECK

2 COOLING SYSTEM

2.1	Pressure test								
2.2	Caps								
2.3	Hoses								
2.4	Belts								
2.5	Fan								
2.6	Expansion bottle								
2.7	Radiator								
2.8	Water pump								
2.9	Visual								
◆	2.10 Fluid leaks								

3 OPERATIONAL EVALUATION

3.1	LEAKDOWN TEST	MAX 20%	CYLINDERS							
			1	2	3	4	5	6	7	8
3.2	COMPRESSION TEST	MAX 20%	CYLINDERS							
			1	2	3	4	5	6	7	8
3.3	PETROL <input type="checkbox"/> DIESEL <input type="checkbox"/>		POSITIVE				NEGATIVE			
3.4	DIESEL / EXOTIC CARS COMPRESSION TEST									

2 COMMENTS

OPERATIONAL

◆ Possible safety items - repair immediately ● Motorbikes

3 ELECTRICAL

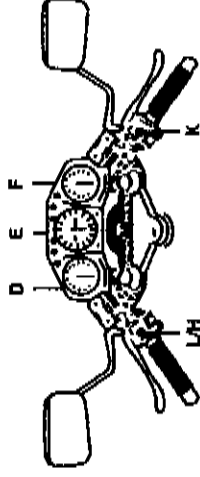
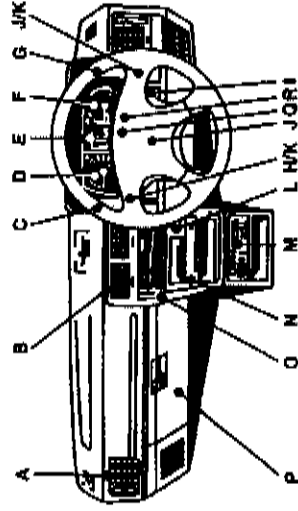
PLEASE CHECK SPECIFIC NEEDS

REGISTRATION NUMBER

YFW679GP

1 BATTERY	
1.1	State of charge
1.2	Battery load test
1.3	Visual
2 CHARGING SYSTEM	
2.1	Charging rate
2.2	Noise
2.3	Visual
2.4	Belt
3 STARTER	
3.1	Performance
3.2	Noise
4 LIGHTS	
4.1	Interior
4.2	Headlights
4.3	Hazard
4.4	Indicators
4.5	Reverse
4.6	Headlight adjustments
4.7	Brakes
4.8	Instrumentation
4.9	Park (front & rear)
4.10	Number plate
5 WIRING	
5.1	Wiring & Connections
5.2	Fuses & Fuse box
6 ACCESSORIES	
6.1	Windows
6.2	Windscreen wipers & washers
6.3	Central locking
6.4	Heater
6.5	Air conditioner
6.6	Radio
6.7	Other

7 VEHICLE INSTRUMENT PANEL	
A	Air vents
B	Centre air vents
C	Steering wheel
D	Speedometer
E	Fuel gauge
F	Rev counter
G	Wiper switch
H	Headlight switch
I	Cruise control switch
J	Hooter
K	Indicator switch
L	Cigarette lighter
M	Radio
N	Ashtray
O	Heater controls
P	Glove compartment light
Q	Heat gauge
R	Oil gauge - light



8 EXERCISE INDICATED SPEEDS WITH AIRBRAKE TEST					
8.1	Indicated speed	60 km/h	80 km/h	100 km/h	120 km/h
	True speed				
8.2	Tyre size	LF	RF	LR	RR

3 COMMENTS

4.9 RIS TAKE LIGHT IN OFF
 FOC LOCATE ~~IN~~ IN OFF
 6.4 LIF WINDOW SWITCH FAULTY ON DRIVERS DOOR PANEL
 LIR WINDOW SWITCH FAULTY ON DRIVERS DOOR PANEL
 4.1 INTERIOR LIGHT FAULTY
 6.2 SERVICE + ADJUST. WINDSCREEN WASHERS
 4.4 INDICATORS IN OFF
 4.7 RIS BRAKE LIGHT IN OFF

4 BODY TEST

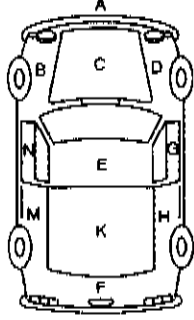
PLEASE CHECK SPECIFIC NEEDS

REGISTRATION NUMBER

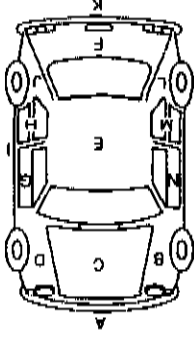
YFW679GP

	1																	
	BODY		A	B	C	D	E	F	G	H	I	J	K	L	M	N		
1.1		Dents																
◆	1.2	Corrosion	X	X														
	1.3	Welding																
	1.4	Fitting																
	1.5	Alignment	X															
	1.6	Waviness																
	1.7	Preparation																
	1.8	Shape																
	2																	
	PAINT		A	B	C	D	E	F	G	H	I	J	K	L	M	N		
	2.1	Dull	●															
	2.2	Pitmarks	●															
	2.3	Runs / Teardrops	●	X														
	2.4	Overspray	●															
	2.5	Orange peel	●			X												
	2.6	Chipmarks	●	X														
	2.7	Blisters	●															
	2.8	Flaking	●	X														
	2.9	Scratches	●	X														
	2.10	Colour match	●	X														

Body / Paint rectification of satisfactory standard



LDV / PANEL VAN
LAW/PANEELWA



SEDAN / COUPE / STATION WAGON
SEDAN/KOEPEE/STASIEWA

3		TWIN INTERIOR	
	3.1	Hood lining	✓
◆	3.2	Sun visors	✓
◆	3.3	Seats	✓
	3.4	Floor mats	✓
	3.5	Panels	X
◆	3.6	Seat belts	X
◆	3.7	Door locks	✓
	3.8	Window mechanisms	✓
◆	3.9	Interior mirror	✓
	3.10	Glove compartment	✓
	3.11	Dash	✓

4		EXTERIOR	
	4.1	Lenses	●
	4.2	Pillars	✓
◆	4.3	Windscreen wipers & washers	✓
	4.4	Reflectors	✓
	4.5	Channels	✓
	4.6	Sealing rubbers	✓
	4.7	Glass	X
	4.8	Number plates	●
	4.9	Sun roof	✓
◆	4.10	Exterior mirrors	●

EXCEPTIONAL EXAMINATION		DOORS		BOOT		GENERAL	
	5.1	Dust-Proofing test					

4 COMMENTS

RIP WHEEL ARCH DENTS
 RIDGEONAL PANEL DAMAGED
 WINDSCREEN CRACKED
 LIF PARELLIGHT LENS
 SEED DIAGRAMS 1 + 2
 CENTRE CONSOLE CURBY HOLE LID COVER LOOSE
 3/7 Door Lock Knobs Broken RIS Doors

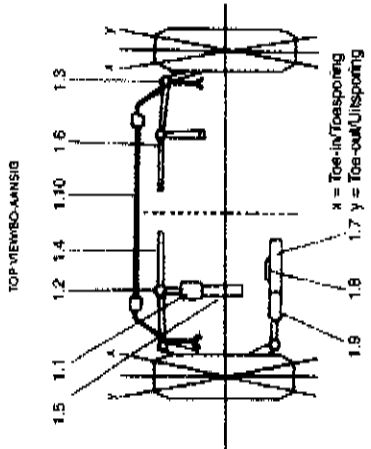
5 STEERING, WHEELS AND BRAKE

PLEASE CHECK SPECIFIC NEEDS

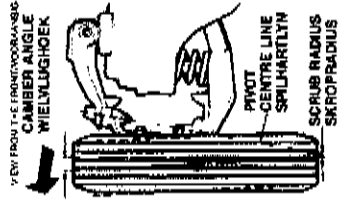
REGISTRATION NUMBER

YFW679GP

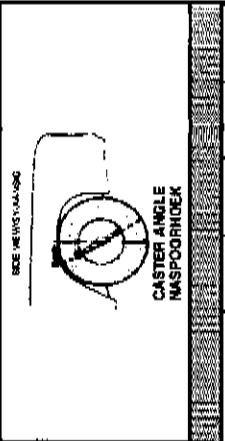
STEERING	
◆ 1.1	Steering box
◆ 1.2	Drop arm
◆ 1.3	Tie-rod ends
◆ 1.4	Drag link
◆ 1.5	Steering shaft
◆ 1.6	Idle arm
◆ 1.7	Steering rack
◆ 1.8	Steering coupling
◆ 1.9	Steering rack boots
◆ 1.10	Hydraulic system
◆ 1.11	Fluid leaks



ALIGNMENT		LF	RF	LR	RR
◆ 2.1	Toe-in / out (x,y)				
◆ 2.2	Camber				
◆ 2.3	Caster				



TIRES	
◆ 3.1	Run-out
◆ 3.2	Bearings
◆ 3.3	Rim
◆ 3.4	Bolts & nuts (visual)



BRAKES		LF	RF	LR	RR
◆ 4.1	Make	●	●	●	●
◆ 4.2	Casing	●	●	●	●
◆ 4.3	Tread depth (min. 1mm)	●	●	●	●
◆ 4.4	Size	●	●	●	●
◆ 4.5	Type	●	●	●	●

BRAKE TEST		LF	RF	LR	RR
◆ 5.1	Lining; pads				
◆ 5.2	Drum; disk				
◆ 5.3	Wheel cylinder, callipers				
◆ 5.4	Master cylinder				
◆ 5.5	Brake hoses				
◆ 5.6	Brake fluid				
◆ 5.7	Brake booster				
◆ 5.8	BRAKE TEST				

5 COMMENTS

SANISACTOR

◆ Possible safety items - repair immediately ● Motorbrakes

6 UNDERCARRIAGE
PLEASE CHECK SPECIFIC NEEDS

REGISTRATION NUMBER

YFW679GP

1 CHASSIS	
◆	1.1 Frame ●
◆	1.2 Cross member ✓
◆	1.3 Sub frame ✓
◆	1.4 Wheel base ✓
◆	1.5 Diagonal measurement ✓
◆	1.6 All rubber mountings ●
◆	1.7 Jack points ✓
2 SUSPENSION	
◆	2.1 Springs ●
◆	2.2 Shackles ✓
◆	2.3 Trailing arms ●
◆	2.4 Torsion bars ✓
◆	2.5 Wishbones & pivots ✓
◆	2.6 Control arms
◆	2.7 Swivel joints ●
◆	2.8 Radius rods
◆	2.9 Stabiliser bars
◆	2.10 Axles
▲	2.11 Shocks ●
◆	2.12 Hydraulic systems ✓

3 EXHAUST	
◆	3.1 Silencer (s) ●
◆	3.2 Pipe, flanges, joints ●
4 LEAKS	
◆	4.1 Fluid leaks ●
5 FUEL SYSTEM	
◆	5.1 Fuel tank ●
◆	5.2 Lines ●
◆	5.3 Fuel leaks ●
6 DRIVE SHAFT	
◆	6.1 Propeller, drive shaft ●
◆	6.2 Universal joints ●
◆	6.3 CV joints ✓
◆	6.4 Rubber boots ●
7 RISE HEIGHT	
◆	7.1 Front ●
◆	7.2 Back ●

6 COMMENTS

f.1 REMOVE ENGINE SPLASH TRAY, STERN CLEAN ENGINE AND PIN POINT OIL LEAKS
 G.2 TRAY AT FRONT U JOINT ON REAR DRIVE SHAFT.

Vertical lines for handwritten notes.

eNaTIS (Production): 174 - Motor Vehicle Particulars Query

MDC VAN WYK (8476A00B)

AA Test & Drive Edenvale Private VTS - AA Test & Drive Edenvale Private VTS

Motor Vehicle Particulars

Page 3 of 3

Licence number	YFW679GP	Chassis number/VIN	AFADGBP46DR293316
Vehicle register number	DHG520W	Engine number	6074JB6923
Previous licence number	DRD061FS	Pre-previous licence number	
Make	MITSUBISHI	Tare (kg)	2050
Series	PAJERO	Gross vehicle mass (GVM) (kg)	2720
Model	512877 3.5 GLS LWD MAN	Gross combination mass (GCM) (kg)	2980
Category	Light passenger mv(less than 12 persons)	Net power (kW)	153
Driven	Self-propelled	Engine capacity (cc)	3497
Description	Station wagon	Fuel type	Petrol
Colour	White	Transmission	Manual
Passengers Seated	6	Standing	0
Measurements			
Length (mm)	4725	Width (mm)	1695
Number of wheels	4	Wheelbase	2725
Height (mm)	1870	Axles Total	2
Rear overhang (mm)	1280	Track (mm)	1480
Driving	2	Usage	Passengers
RW status	Roadworthy	RW status date	2009-04-17
SAPS mark	None	SAPS mark date	

F1 - Help

F5 - Lock

F8 - Print

F9 - Quit

Release 11.0.8.26

Information as at 2010-09-22 11:01:24

Workstation 40050004