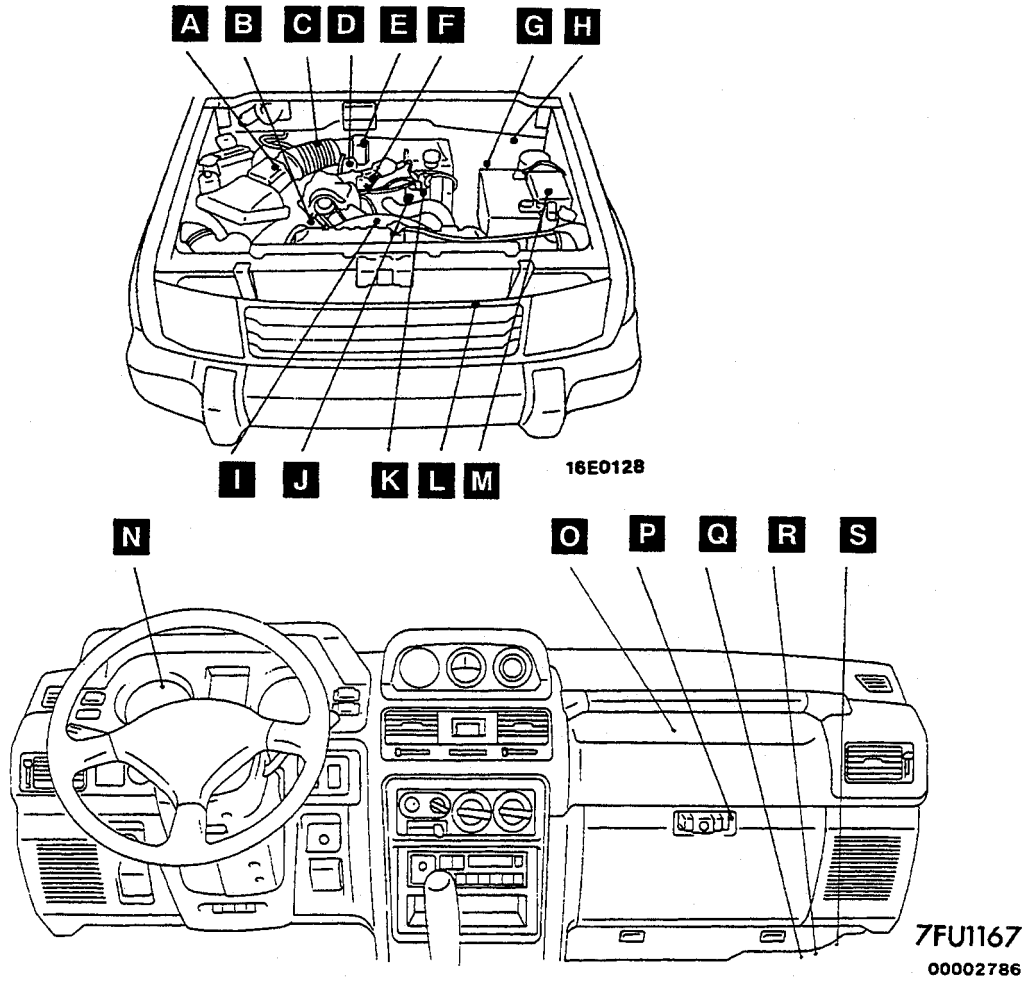


COMPONENT LOCATION

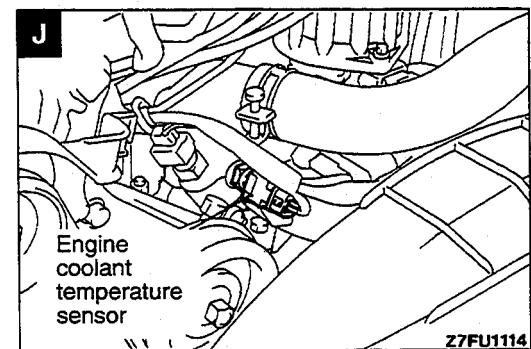
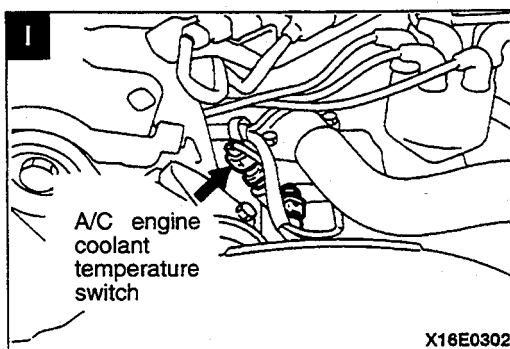
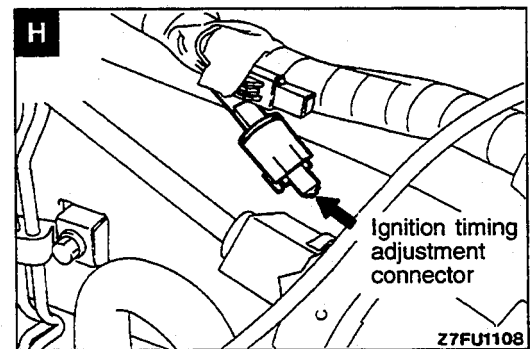
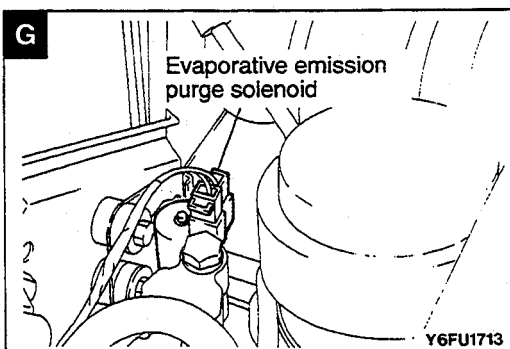
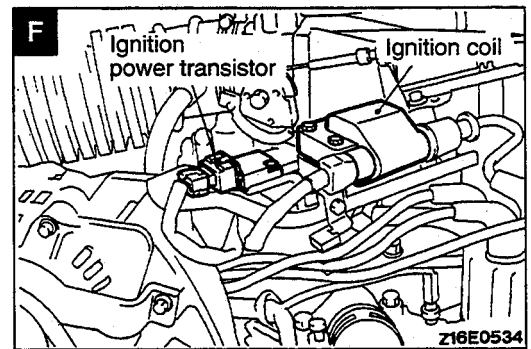
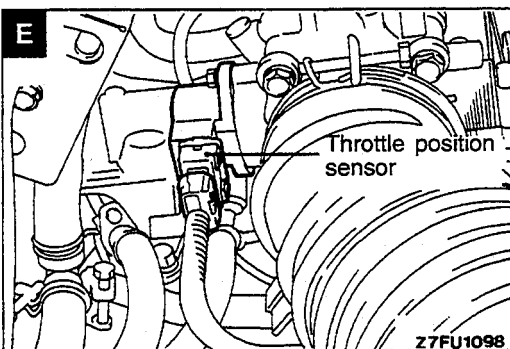
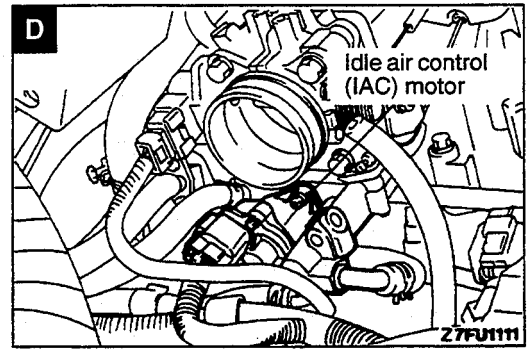
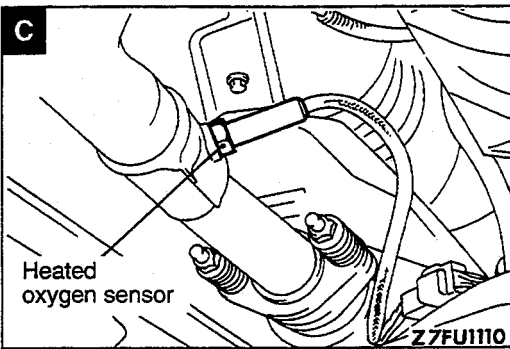
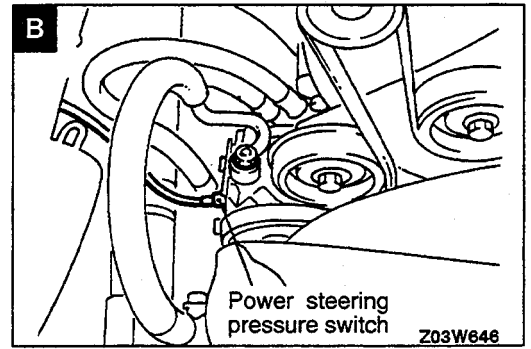
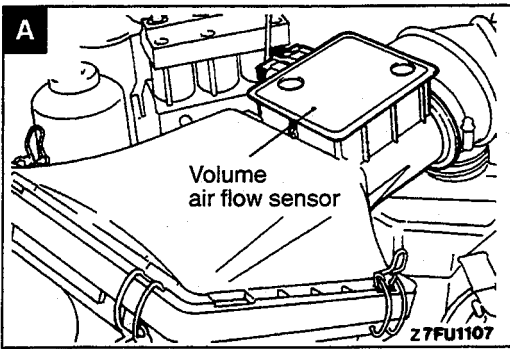
110005930

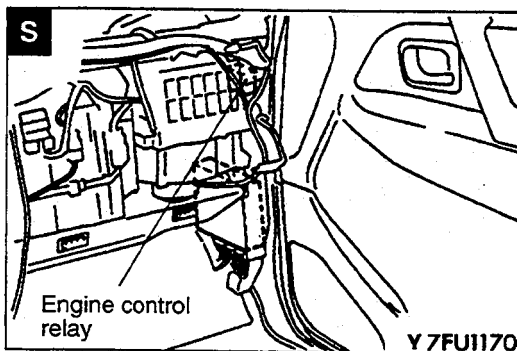
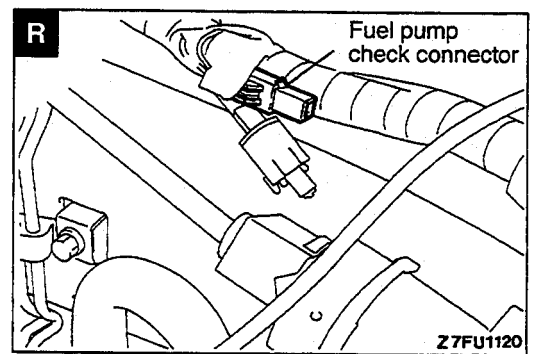
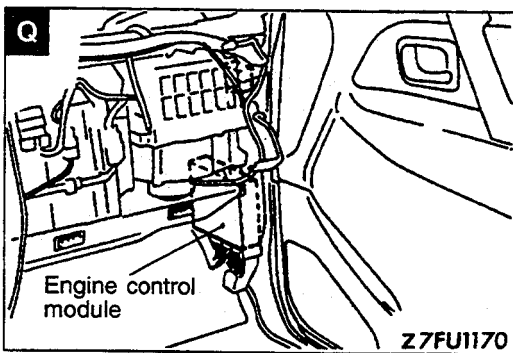
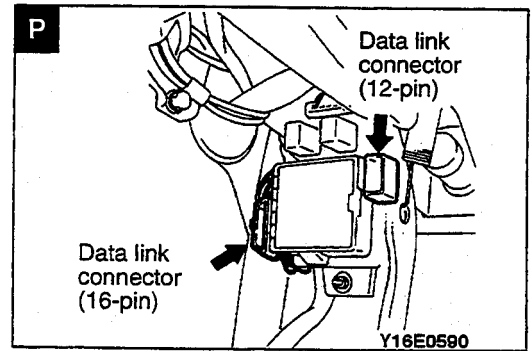
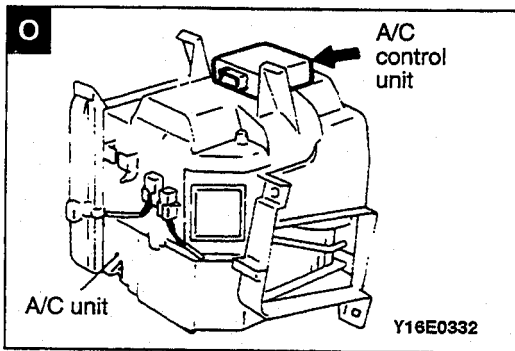
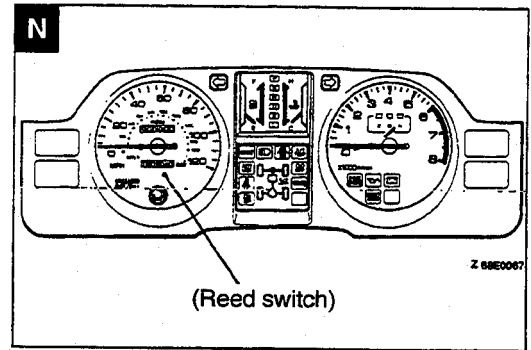
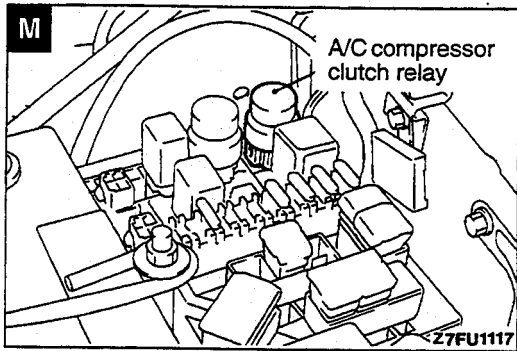
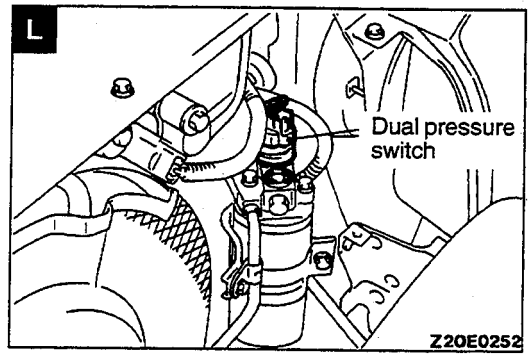
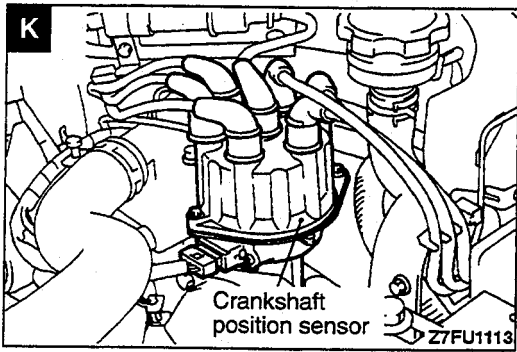


Name	Symbol	Name	Symbol
A/C compressor clutch relay	M	Heated oxygen sensor	C
A/C control unit	O	Idle air control motor	D
A/C engine coolant temperature switch	I	Ignition coil	F
		Ignition timing adjustment connector	H
Crankshaft position sensor	K	Ignition power transistor	F
Data link connector	P	Power steering pressure switch	B
Dual pressure switch	L	Reed switch	N
Engine control module	Q	Throttle position sensor (with closed throttle position switch)	E
Engine control relay	S		
Engine coolant temperature sensor	J	Volume air flow sensor (with built-in intake air temperature sensor and barometric pressure sensor)	A
Evaporative emission purge solenoid	G		
Fuel pump check connector	R		

NOTE
The "Name" column is arranged in alphabetical order.

TSB Revision





NOTES